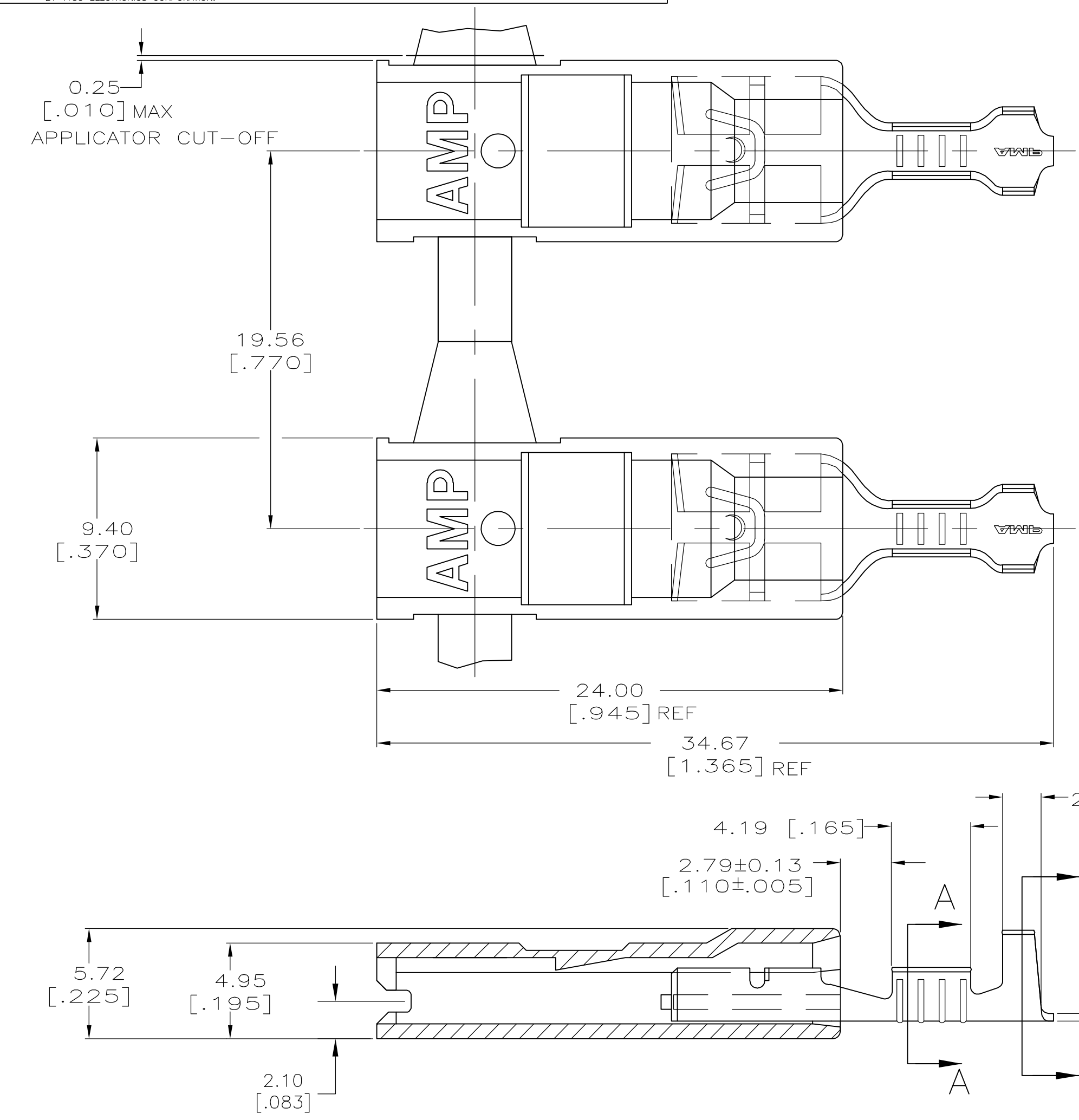
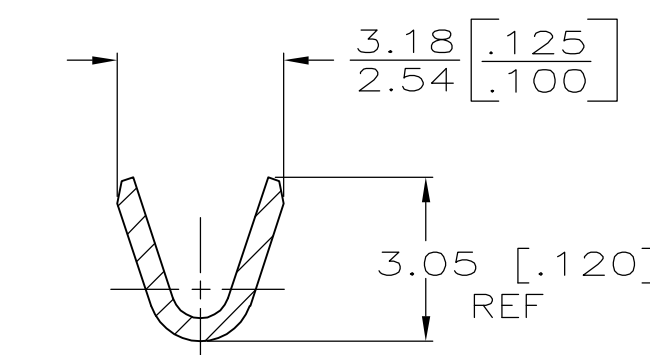


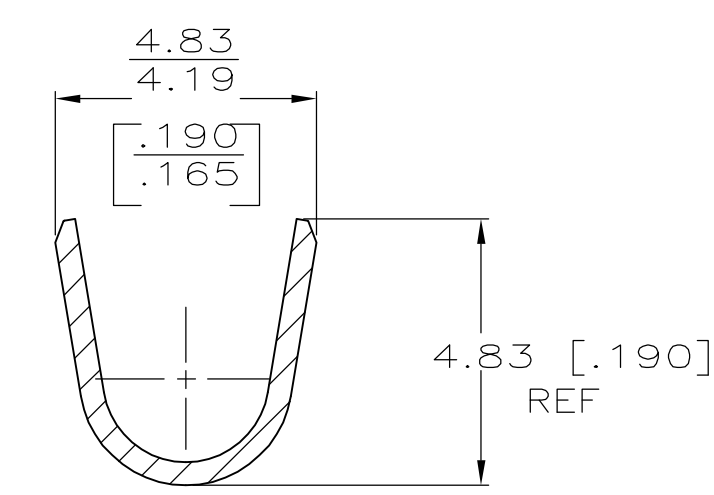
LOC	DIST	REVISIONS			
P	LTR	DESCRIPTION	DATE	DWN	APVD
AF	50	F1	REVISED PER ECR-06-000467	23MAY06	HMR GP



- 1 0.002032 [.000080] MIN TIN PER MIL-T-10727.
- 2 LOW-INSERTION FASTON TERMINALS, BASE PART NUMBER 63609, ARE USED IN THIS PRODUCT.



SECTION A-A  
SCALE 8:1



SECTION B-B  
SCALE 8:1

1 PLAIN	2.29-3.30 [.090-.130]	0.3-0.8 mm <sup>2</sup> [22-18]	0.81 [.032]	520988-2
TERMINAL FINISH	INSULATION RANGE	WIRE SIZE	MATING TAB THK±0.025[±.001]	520988-1 PART NO

THIS DRAWING IS A CONTROLLED DOCUMENT.		DWN MICHAEL S. FEHER 5/14/91	Tyco Electronics Corporation Harrisburg, PA 17105-3608	
DIMENSIONS: mm [INCHES]		CHK JEFF R. RUTH 5/21/91	Tyco Electronics	
TOLERANCES UNLESS OTHERWISE SPECIFIED:		APVD RICHARD FRANTZ 5/21/91	ASSEMBLY, HOUSING & RECEPTACLE, 6.35 [.250] SERIES ULTRA-POD	
0 PLC ± -	1 PLC ± -	PRODUCT SPEC 108-1285	SIZE A2	CAGE CODE 00779
2 PLC ± 0.25 [.010]	3 PLC ± -	APPLICATION SPEC 114-2124	DRAWING NO G-520988	RESTRICTED TO -
4 PLC ± -	ANGLES ± -	WEIGHT -	SCALE 5:1	SHEET 1 of 1
MATERIAL TERMINAL - #4M HARD BRASS HOUSING - 6/6 NYLON	FINISH TERMINAL - SEE TABLE HOUSING - NATURAL	CUSTOMER DRAWING		REV F1